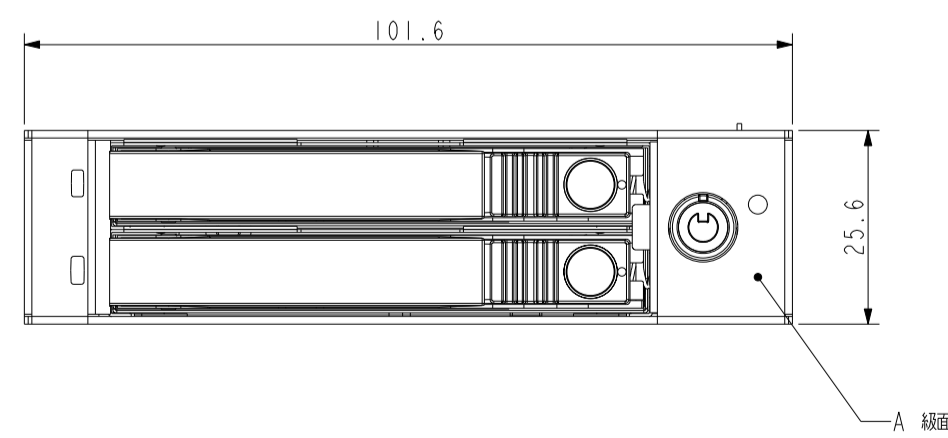
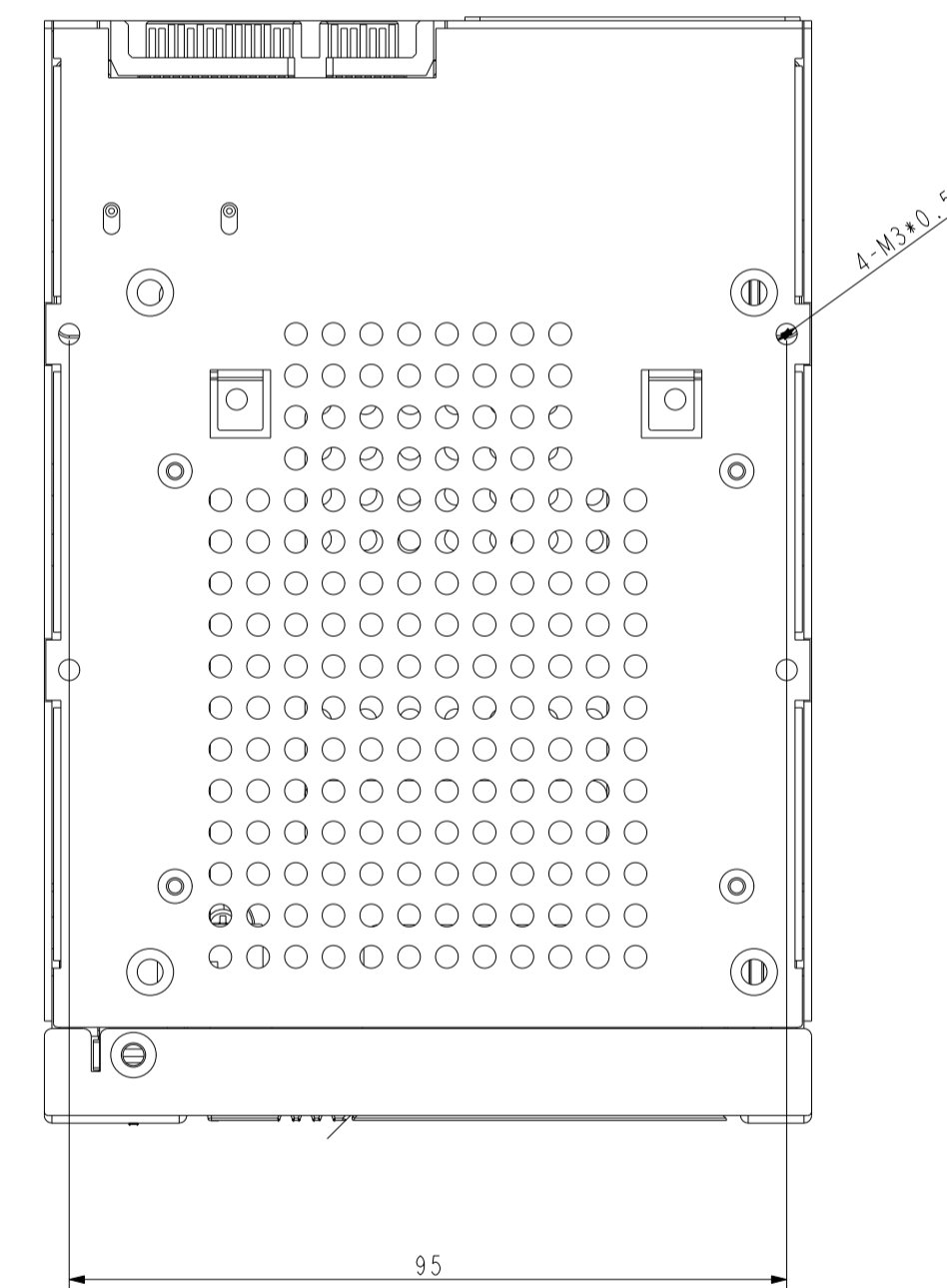
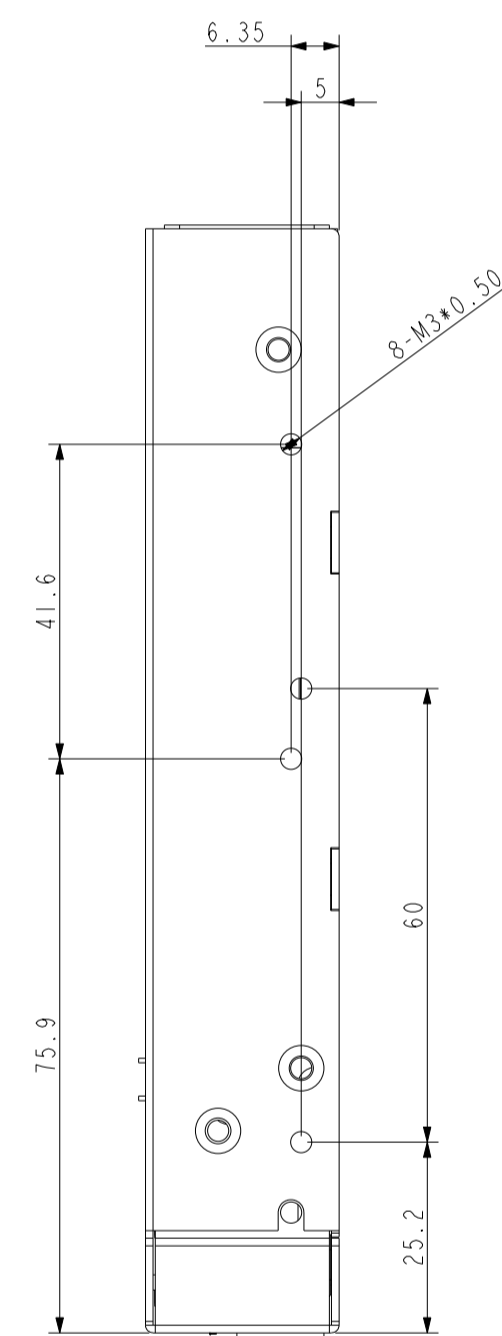
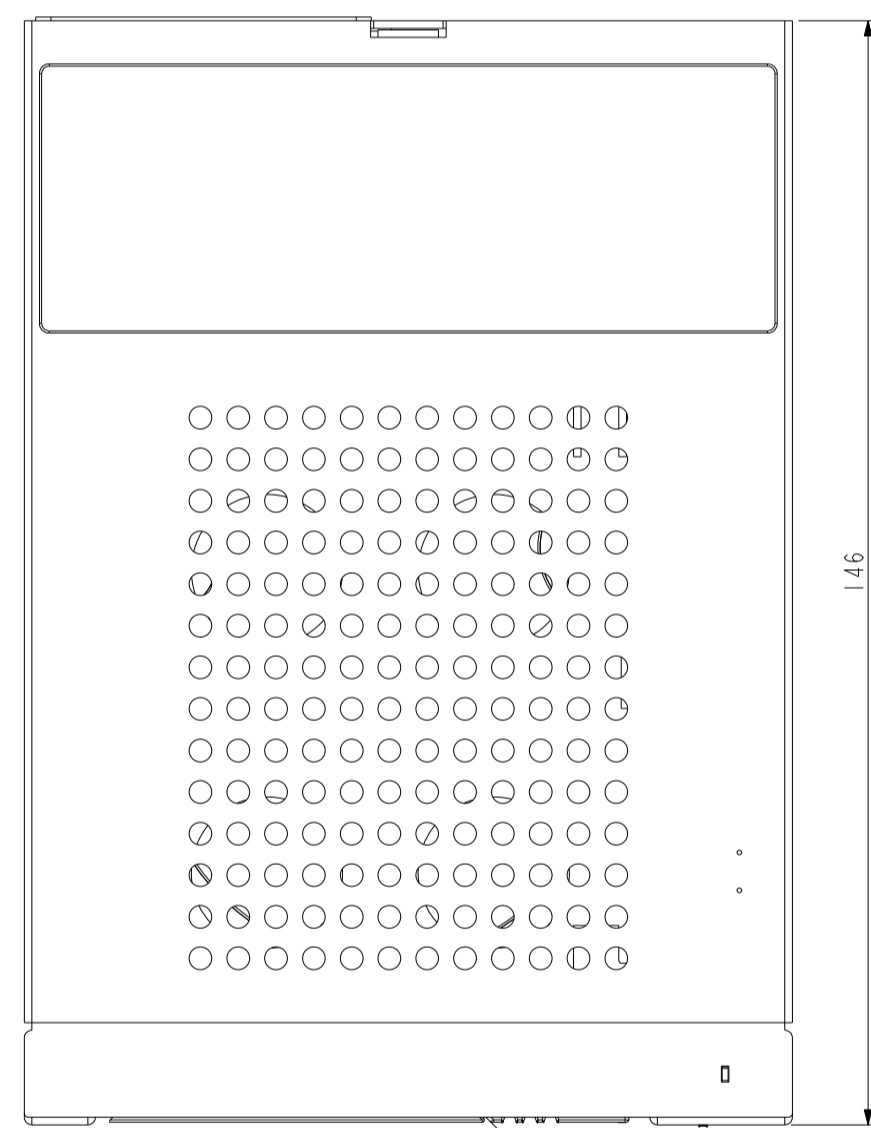
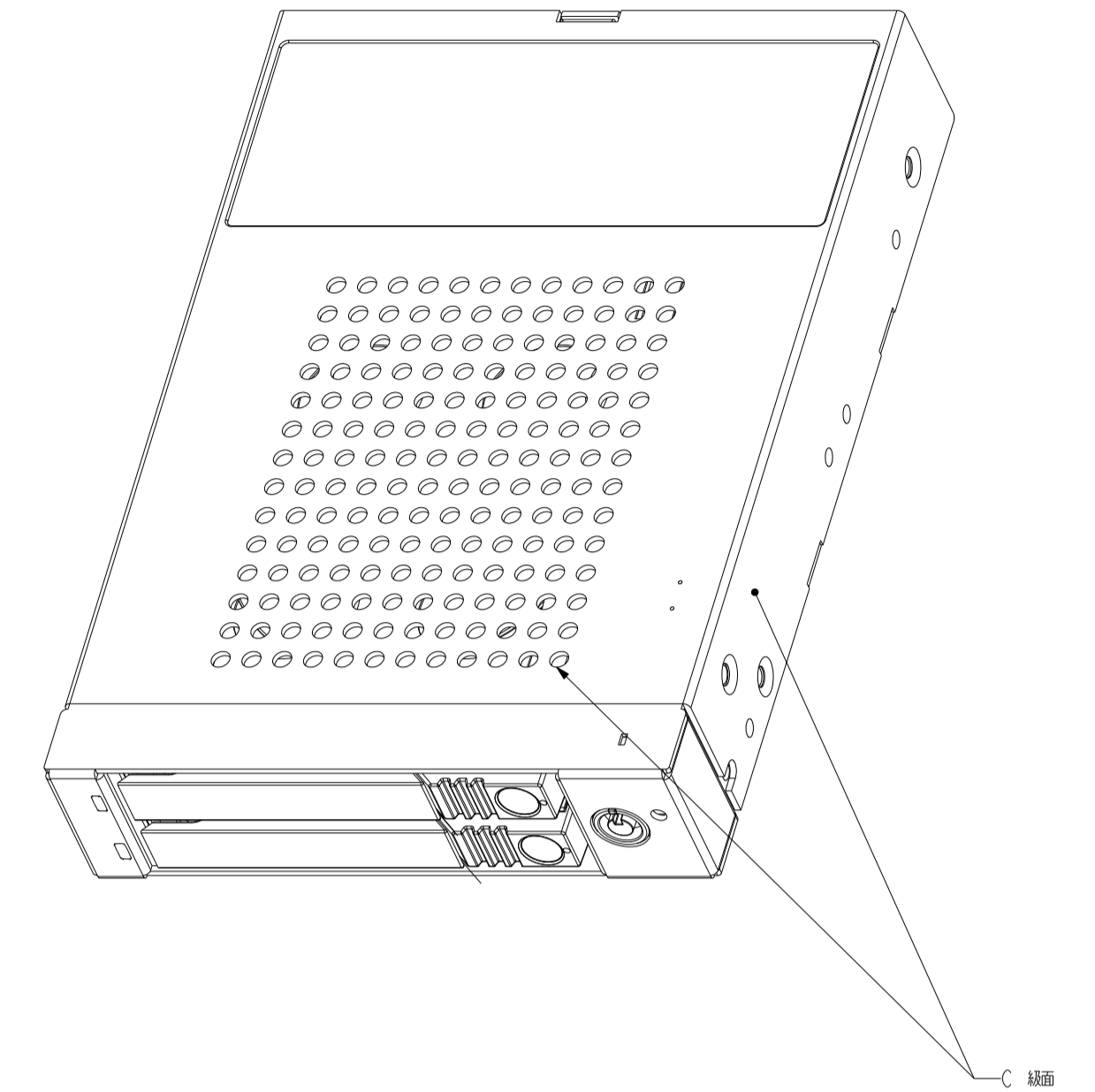
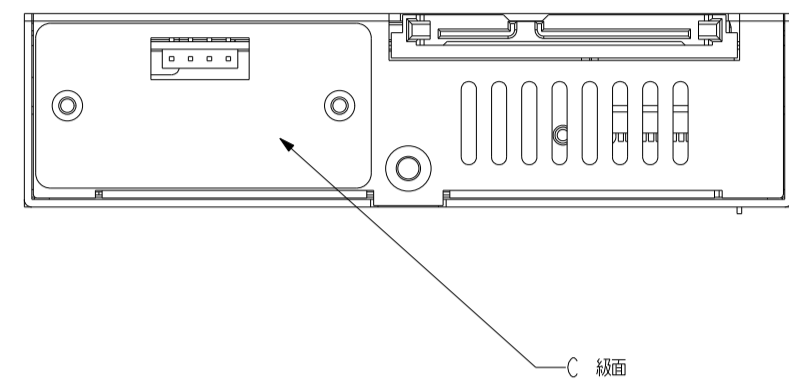


Revision History					
REV	EC No.	DATE(yy/mm/dd)	UPDATE DESCRIPTION	DESIGNER	
			As Shown	Calvin	
				APPROVE	REMARK



THIS DRAWING AND SPECIFICATIONS, HEREIN, ARE THE PROPERTY OF RAIDON INTERNATIONAL AND SHALL NOT BE REPRODUCED, COPIED, OR USED IN WHOLE OR IN PART AS THE BASIS FOR THE MANUFACTURE OR SALE OF ITEMS WITHOUT WRITTEN PERMISSION, RAIDON INTERNATIONAL.

MATERIAL (SPEC) ASSY				SCALE 1:1(1.1)		RAIDON <small>CONFIDENTIAL</small>				
FINISH				ANGLE		UNIT		DESCRIPTION		
				0°-30° ±1°		mm		1R2775 機構外觀尺寸圖		
				31°-60° ±3°						
				61°-90° ±5°						
SELECT V		V				SHEET	MODEL NO.	PART NO.	REV	VER
DIM TOL	A	B	C	D		1 of 1	1R2775	-	0.1	
0-5	±0.02	±0.05	±0.1	±0.2						
6-10	±0.05	±0.1	±0.15	±0.3						
11-50	±0.1	±0.15	±0.20	±0.5						
50-100	±0.15	±0.2	±0.25	±1						
101+	±0.15X	±0.2X	±0.25X	±1.0X						
							SHEET SIZE	DESIGNER	APPROVED	
							A1	Calvin		